



**ADLEEPOWER®**  
SINCE 1974 ISO 9001

# BRUSHLESS

- Golf Car
- Tractor
- Minivan
- Forklift
- LSV
- Go Cart
- Pedicab
- Scooter
- Bike

DC Motor & Drives



[www.adlee.com](http://www.adlee.com)

# BRUSHLESS

## DC Motor & Drives

### Driver Functions

- Re-Generated braking
- Speed control / torque control
- Buzzer signals
- Key switch
- Safety switch
- Forward / Reverse
- Fault LED

### Driver protections

- Over current protection
- Motor over heat protection
- Low voltage protection
- Stall protection
- Driver over heat protection
- Motor phase to phase short circuit protection
- Accelerator initial detection

### SPECIFICATION

Model No.		BM-180	BWM-250	BM-370	BM-600A	BM-600B	BM-600C
Voltage	VDC	24	36	24	48	48	48
Rate Torque	Kg-cm	9	97	12	6.8	7.6	9.3
Rate Power	W	180	250	370	600	600	600
Rate Speed	RPM	1950	250	3000	8600	7700	6300
Rate Current	A	9	8.7	18	18	18	16
Max. Torque	Kg-cm	22	250	40	52	60	70
Max. Power	W	270	350	550	2400	2400	2400
Max. Speed	RPM	2500	310	3500	9000	8000	7000
Max. Current	A	22	15	48	85	85	85
Motor Dimension		1	2	3	4	4	4
Driver Dimension		A	B	A	C	C	C

Model No.		BM-600X	BM-1000	BM-1500	BM-2200	BM-3700
Voltage	VDC	48	48	48	48	48
Rate Torque	Kg-cm	20.3	32.48	48.73	73.2	118
Rate Power	W	1000	1000	1500	2200	3700
Rate Speed	RPM	4800	3000	3000	3000	3000
Rate Current	A	24	26	39	57	96
Max. Torque	Kg-cm	120	100	115	145	200
Max. Power	W	3700	2200	2500	2900	4300
Max. Speed	RPM	2700	4000	4000	4500	400
Max. Current	A	140	95	110	140	190
Motor Dimension		5	6	6	7	8
Driver Dimension		D			E	

Note: The driver functions and protections are varied in different models.

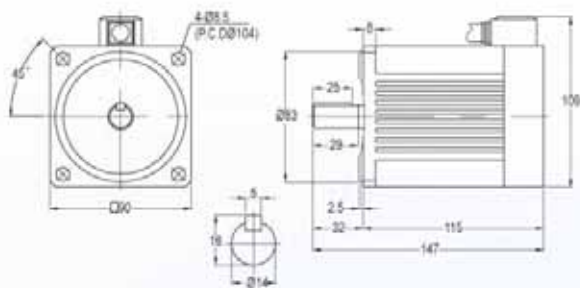


Fig 1

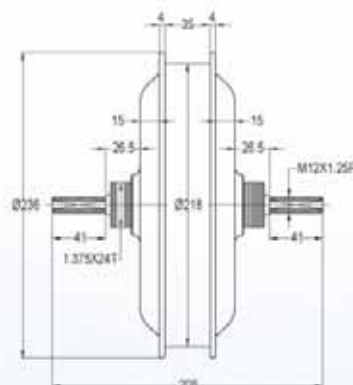


Fig 2

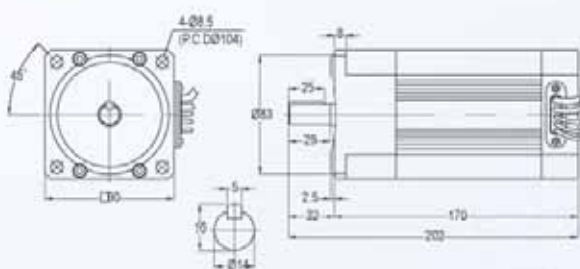
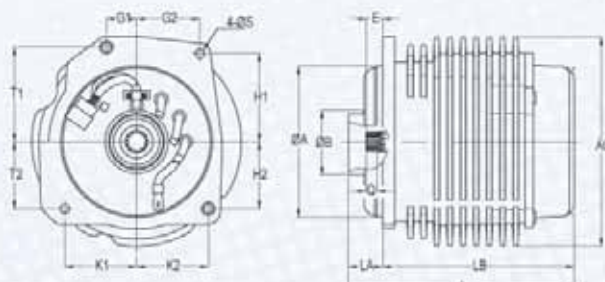


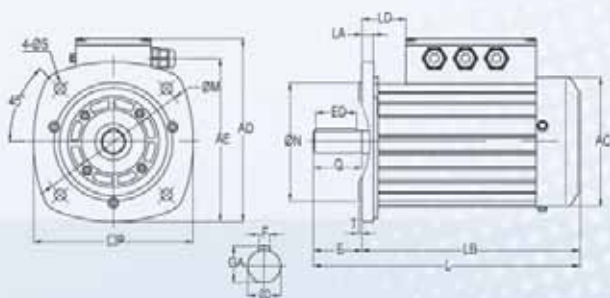
Fig 3



Tooth number	13
PCD	13
Module	1
Pressure angle	20°

UNIT: mm

Fig	G1	G2	H1	H2	K1	K2	T1	T2	ØA	ØB	ØS	E	AC	LA	LB	L
Fig 4	23	48	67	51	54.5	54.5	72	51	115	48	7	12.5	159	26	145.6	171.6
Fig 5															160.6	186.6



UNIT: mm

Fig	ØP	ØM	ØS	ØN	T	LA	LB	L	AC	AD	AE	LD	OUTPUT SHAFT END					
													ED	Ø	E	ØD	GA	F
Fig 6							222	275				31						
Fig 7	175	165	12	130	3.5	13	239	292	142	201.5	179	48	45	53	53	24	27	8
Fig 8							259	312				68						



ADLEEPPOWER

SINCE 1974 ISO 9001

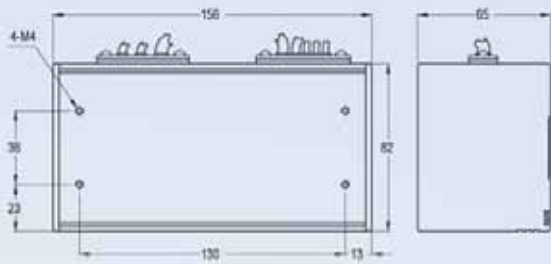


Fig A

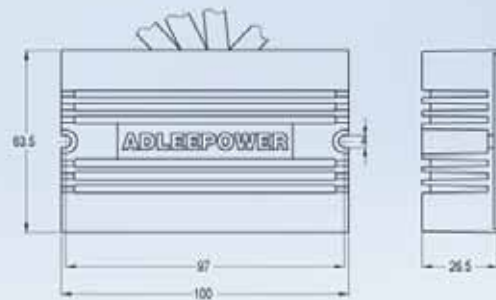


Fig B

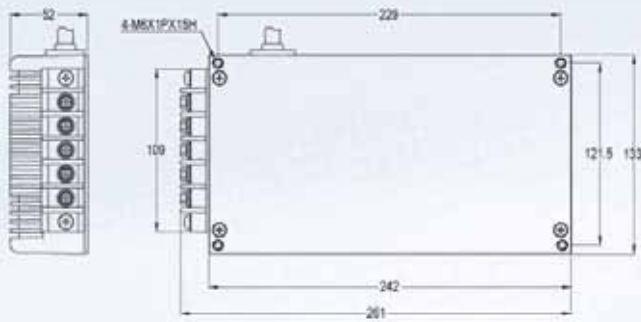


Fig C

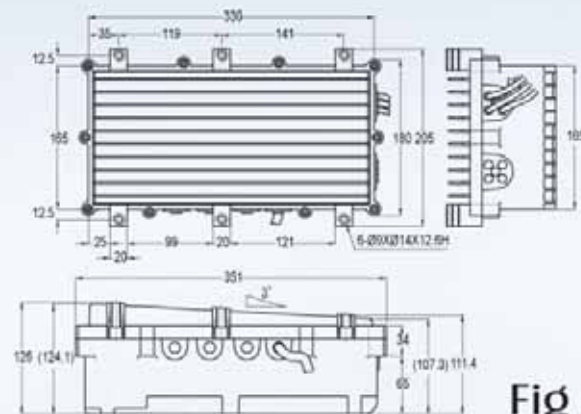


Fig D

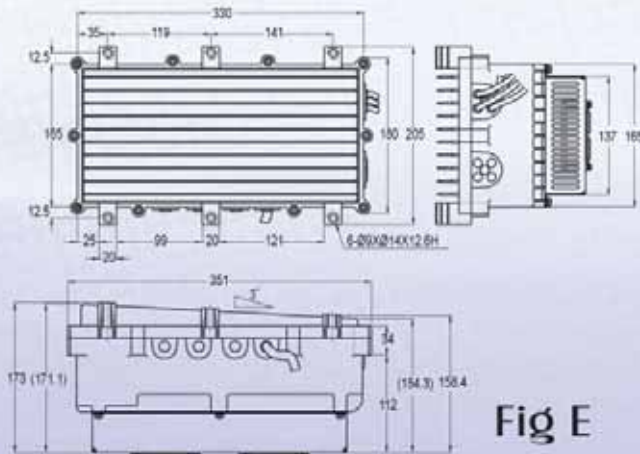


Fig E



**ADLEE POWERTRONIC CO., LTD.**

TAIWAN HEAD OFFICE /  
No. 4 LANE 989, CHUNG SHAN ROAD, SHENGANG,  
TAICHUNG TAIWAN, R.O.C.  
TEL NO: 886-4-25622651  
http://www.adlee.com

FAX NO: 886-4-25628289  
E-mail: webmaster@adlee.com

CHINA GUANG DONG/  
TEL NO: 86-757-26656498  
CHINA SHANGHAI /  
TEL NO: 86-21-84843529

CHINA WUHAN /  
TEL NO: 86-27-59322991  
CHINA HONG KONG /  
TEL NO: 852-24081937

**AGENCY**

■ All specification are subject to change without notice