

Surface

# GRINDING

Spindle Motor







## Induction V3 Motor Specification

| Model type     |       | 618M   | 90L  | 90LX | 90M  | 90MX | 90LV | 504                     | 7504  | 1004  | 1504  | 2004  |
|----------------|-------|--------|------|------|------|------|------|-------------------------|-------|-------|-------|-------|
| Input volt     | V     | 220VAC |      |      |      |      |      |                         |       |       |       |       |
| Output power   | Kw    | 1.5    | 1.5  | 2.2  | 1.0  | 2.0  | 3.0  | 3.7                     | 3.7   | 7.5   | 11.0  | 15.0  |
| Speed          | Rpm   | 3350   | 3450 | 3450 | 3490 | 3450 | 3400 | 1725                    | 1725  | 1725  | 1710  | 1710  |
| Insulation     |       | B      |      |      |      |      |      |                         |       |       |       |       |
| Torque         | Kg-cm | 43.6   | 42.5 | 63.1 | 28.0 | 56.5 | 87.0 | 210.0                   | 316.0 | 420.0 | 637.0 | 850.0 |
| Current        | A     | 5.8    | 5.57 | 8.2  | 3.5  | 7.2  | 11.0 | 14.0                    | 21.0  | 27.0  | 38.0  | 54.0  |
| Dimension(Fig) | mm    | 1      | 2    | 3    | 4    | 5    | 6    | Refer to IEC frame size |       |       |       |       |

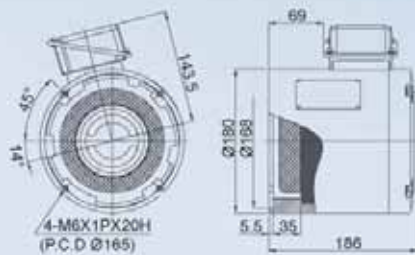


FIG 1

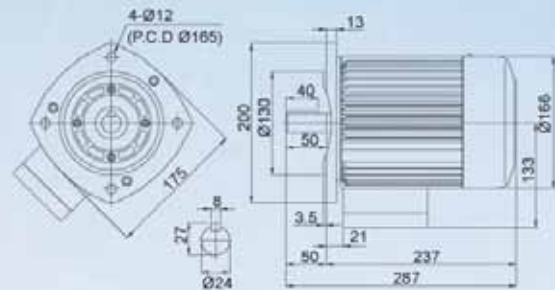


FIG 2

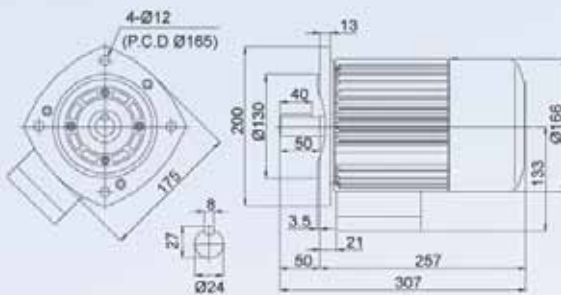


FIG 3

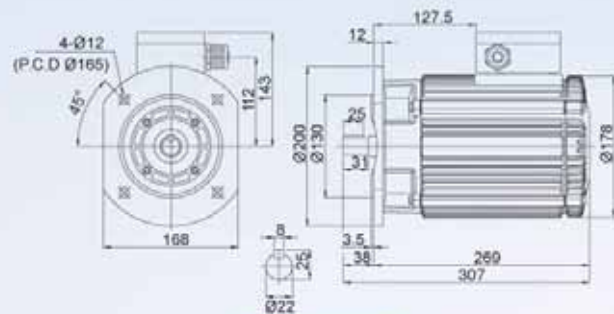


FIG 4

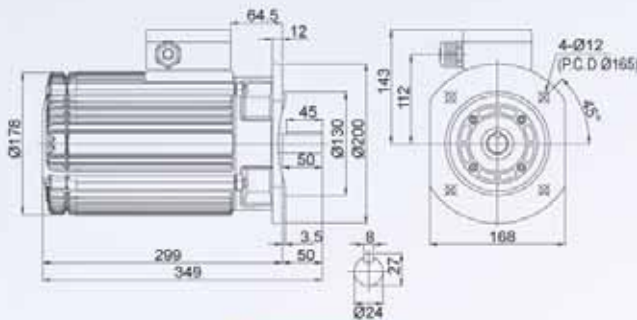


FIG 5

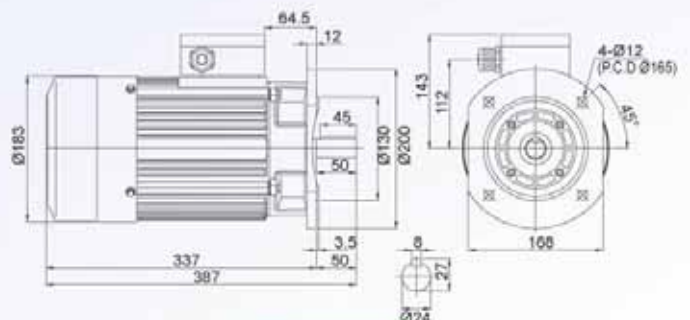


FIG 6

## Matchservo Driver Dimensions

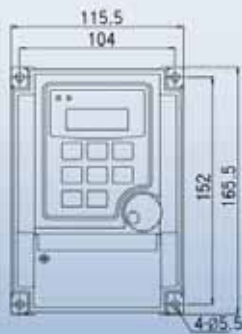


FIG A

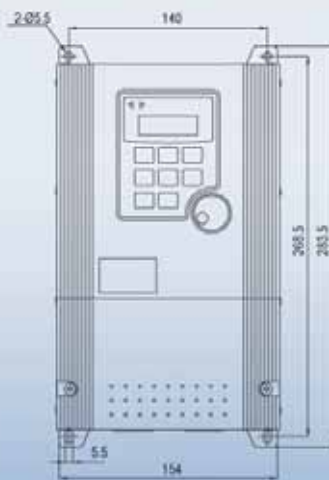
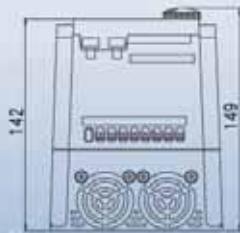
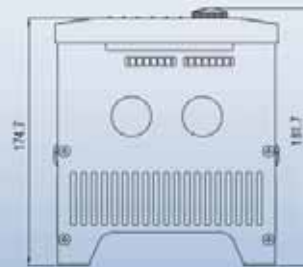


FIG B



### ADLEE POWERTRONIC CO., LTD.

TAIWAN HEAD OFFICE /  
No.4 LANE 989, CHUNG SHAN ROAD, SHENGANG,  
TAICHUNG TAIWAN, R.O.C.  
TEL NO: 886-4-25622651  
http://www.adlee.com

FAX NO: 886-4-25628289  
E-mail: webmaster@adlee.com

CHINA GUANG DONG/  
TEL NO: 86-757-26656498  
CHINA SHANGHAI /  
TEL NO: 86-21-64843529

CHINA WUHAN /  
TEL NO: 86-27-59322991  
CHINA HONG KONG /  
TEL NO: 852-24081937

### AGENCY

■ Due to the printing factors, the color of the products are subject to goods.