



**ADLEEPPOWER®**  
SINCE 1974 ISO 9001

# IPM

High  
Performance  
& Powerful  
**AC drives**



[www.adlee.com](http://www.adlee.com)

# IPM AC drives

High Performance & Powerful



## Innovated Features

### A. New Technology Super Low Noise

Improve soft/hard ware. optimum waveform. The motor as quiet as running with commercial power.

### B. All Model Equipped With IPM

Employ IPM (intelligent power module) for power device. IPM provides numerous advantages such as quiet operation, high efficiency, high torque smoother shaft rotation and improved reliability.

### C. Expansion Of Frequency Range

The range of variable frequency has been greatly extended from 0.5HZ-2400HZ. and S curve for smooth ACC/DEC performance.

### D. Upgrading V/F Characteristic

Provide constant torque curve ( $F^1$ ) reduce torque curve ( $F^2$ ) and ( $F^3$ ) for FAN/PUMP drive. adjustable saving energy operation and wide basic voltage setting from 30HZ-2400HZ. Double V/F curve performance.

### E. Enhanced I/O Function

Built-in variable digital/analog input functions and RS-485 communication to suit a wide array of needs. easy to install. convenient humanity operating features.

### F. Compact structure

Compact size design make installation easier, it solves space limited problem.

### G. Extended braking resistor available

All series with extended braking resistor terminals. It makes machine more reliable in high frequency switching RUN/STOP or High speed/Low speed situation.

### H. Cycle timing function

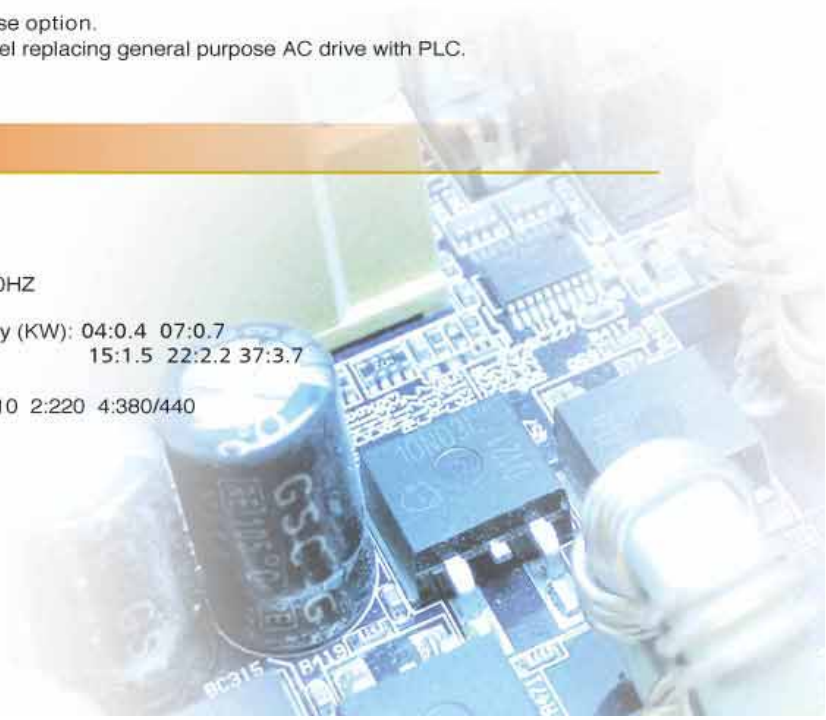
All series are with cycle timing function for special purpose option.

Not only cost down but also using friendly for Timer model replacing general purpose AC drive with PLC.

## Model Explanation

AS 4 - 3 04 H

- Special function H: 2400HZ
- Applicable motor capacity (KW): 04:0.4 07:0.7  
15:1.5 22:2.2 37:3.7
- Phase 1:1 $\emptyset$  3:3 $\emptyset$
- Input Voltage(VAC) 1:110 2:220 4:380/440
- Series AS, MS, HS, 5S



## Multi function general purpose inverter

### MS Series Specification

Model	MS1		MS2						5S2※						
	Input Voltage	1Ø 110VAC ±10%		1Ø 220VAC ±10%						1Ø 220VAC ±10%					
Model No	104	107	102	104	107	115	122	137	102	104	107	115	122	137	
Input Frequency	50-60HZ ±10%		50-60HZ ±10%						50-60HZ ±10%						
Output Voltage	3Ø220VAC		3Ø220VAC						3Ø220VAC						
Output Frequency	0.5-1200HZ		0.5-1200HZ						0.5-1200HZ						
Rated Current (A)	2.5	4.1	1.4	2.5	4.1	7	10	16	1.4	2.5	4.1	7	10	16	
Capacity (KVA)	1.0	1.6	0.6	1.0	1.6	2.7	3.8	6.1	0.6	1.0	1.6	2.7	3.8	6.1	
Largest Motor (4poles)(KW)	0.4	0.75	0.2	0.4	0.75	1.5	2.2	3.7	0.2	0.4	0.75	1.5	2.2	3.7	
Control Method	SINWAVE PWM		SINWAVE PWM						SINWAVE PWM						
Cooling Method	Self-Cooled	Air-Cooled	Self-Cooled	Air-Cooled			Self-Cooled			Air-Cooled			Self-Cooled		
Weight (KG)	1.2	1.3	1.2	1.2	1.3	1.3	1.4	4.2	1.2	1.2	1.3	1.3	1.4	4.2	
Dimension Drawing(mm)	1	2	1	1	1	2	2	3	1	1	1	2	2	3	

※ The Max.Working ambient temp. up to 50°C

### AS Series Specification

Model	AS1-N		AS2-N									AS4-N				
	Input Voltage	1Ø 110VAC ±10%		1Ø 220VAC ±10%						3Ø 220VAC ±10%			3Ø 380/440VAC ±10%			
Model No	104	107	104	107	115	122	137	304	307	315	322	337	307	315	322	337
Input Frequency	50-60HZ ±10%		50-60HZ ±10%						50-60HZ ±10%			50-60HZ ±10%				
Output Voltage	3Ø220VAC		3Ø220VAC						3Ø220VAC			3Ø380/440VAC				
Output Frequency	0.5~400HZ (ASNH up to 2400HZ)															
Rated Current (A)	2.5	4.1	2.5	4.1	7	10	16	3	5	8	11	17	2.5	4	6	9
Capacity (KVA)	1.0	1.6	1.0	1.6	2.7	3.8	6.1	1.1	1.9	3.1	4.2	6.5	1.9	3.1	4.2	6.9
Largest Motor (4poles)(KW)	0.4	0.75	0.4	0.75	1.5	2.2	3.7	0.4	0.75	1.5	2.2	3.7	0.75	1.5	2.2	3.7
Control Method	SINWAVE PWM		SINWAVE PWM						SINWAVE PWM			SINWAVE PWM				
Cooling Method	Self-Cooled	Air-Cooled	Self-Cooled	Air-Cooled			Self-Cooled			Air-Cooled			Air-Cooled			
Weight (KG)	1.2	1.3	1.2	1.3	1.3	1.4	4.2	1.2	1.3	1.3	1.4	4.2	1.3	1.3	4	4.2
Dimension Drawing(mm)	4	5	4	4	5	5	3	4	4	5	5	3	5	5	5	3

### HS Series Specification

Model	HS1		HS2									HS4				
	Input Voltage	1Ø 110VAC ±10%		1Ø 220VAC ±10%						1Ø 220VAC ±10%			3Ø 380/440VAC ±10%			
Model No	104	107	104	107	115	122	137	304	307	315	322	337	307	315	322	337
Input Frequency	50-60HZ ±10%		50-60HZ ±10%						50-60HZ ±10%			50-60HZ ±10%				
Output Voltage	3Ø220VAC		3Ø220VAC						3Ø220VAC			3Ø380/440VAC				
Rated Current (A)	2.5	4.1	2.5	4.1	7	10	16	3	5	8	11	17	2.5	4	6	9
Capacity (KVA)	1.0	1.6	1.0	1.6	2.7	3.8	6.1	1.1	1.9	3.1	4.2	6.5	1.9	3.1	4.2	6.9
Largest Motor (4poles)(KW)	0.4	0.75	0.4	0.75	1.5	2.2	3.7	0.4	0.75	1.5	2.2	3.7	0.75	1.5	2.2	3.7
Control Method	SINWAVE PWM		SINWAVE PWM						SINWAVE PWM			SINWAVE PWM				
Cooling Method	Self-Cooled	Air-Cooled	Self-Cooled	Air-Cooled			Self-Cooled			Air-Cooled			Air-Cooled			
Weight (KG)	1.2	1.3	1.2	1.3	1.3	1.4	4.2	1.2	1.3	1.3	1.4	4.2	1.3	1.3	4	4.2
Dimension Drawing(mm)	4	5	4	4	5	5	3	4	4	5	5	3	5	5	5	3

※ HS series is a special model for pump application. The water pressure sensor signal can input to driver directly. The driver will adjust the motor speed automatically to have constant water pressure performance. The pressure can be set on panel.

## Characteristic

- All models with F306 remote control option.
- Remote 3 wire start/stop, jogging, forward/reverse, multi-function control.
- Multistep speed operation (up to eight speeds).
- S-character accel/deceleration selection enables smooth start/stop.
- 0-5V, 0-10V, 4-20mA, analog signal control.
- Fully adjustable V/F characteristic.
- Arrival/running/fault alarm signal output.
- RS-485 Communication port.
- Adjustable carrier frequency.
- Program security lock.
- Fault Relay Contact rating 1A 240VAC or 1A 30VDC.
- Max./Min. frequency limiter.
- Inverter protection history stores up to four previous protective actions.
- Master/slave driver system.
- Multi-analog function extended control.
- All series with braking circuit.
- Full of excellent protection system.

## AP4 Series Specification

Model	AP4G3 · AP4H3						
Input Voltage	3Ø 380/440VAC ±10%						
Model No	337	355	375	3110	3150	3185	3220
Input Frequency	50HZ / 60HZ ±5%						
Output Voltage	3Ø 380/440VAC						
Output Frequency	0.5HZ ~ 400HZ (AP4H3 Up To 2400HZ)						
Rated Current (A)	8.5	12	16.5	23	31	38	45
Capacity (KVA)	6.5	9.2	12.6	17.6	23.6	29	34
Largest Motor (4poles) (KW)	3.7	5.5	7.5	11	15	18.5	22
Control Method	Sine wave pulse width modulation						
Cooling Method	Air-Cooled						
Weight (KG)	5.5	6.2	6.6	6.8	18	18.5	19.5
Dimension (mm)	6			7			



## AP2 Series Specification

Model	AP2G3 · AP2H3													
Input Voltage	1Ø 220VAC ±10%							3Ø 220VAC ±10%						
Model No	137	155	175	1110	1150	1185	337	355	375	3110	3150	3185	3220	
Input Frequency	50HZ / 60HZ ±5%													
Output Voltage	3Ø 220VAC							3Ø 220VAC						
Output Frequency	0.5HZ ~ 400HZ (AP2H3 Up To 2400HZ)													
Rated Current (A)	16	23	30	43	56	70	17	24	33	46	61	76	90	
Capacity (KVA)	6.1	8.8	11.4	16.4	21.3	26.7	6.5	9.2	12.6	17.6	23.3	29	34	
Largest Motor (4poles) (KW)	3.7	5.5	7.5	11	15	18.5	3.7	5.5	7.5	11	15	18.5	22	
Control Method	Sine wave pulse width modulation													
Cooling Method	Air-Cooled													
Weight (KG)	5.5	6.2	6.6	17	18	18.5	5.5	6.2	6.6	17	18	18.5	19	
Dimension (mm)	6			7				6			7			

# Dimension

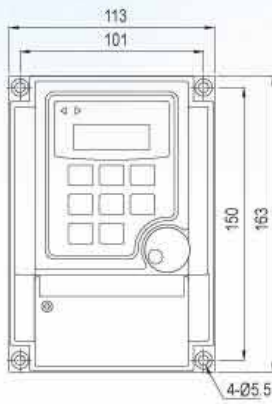


FIG-1

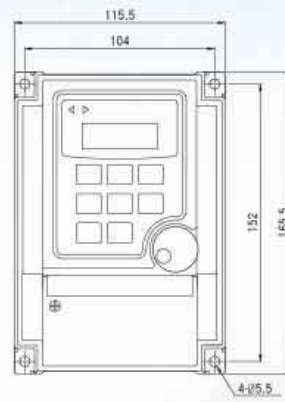
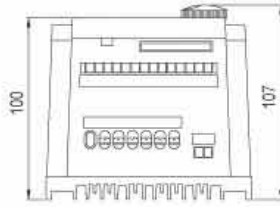


FIG-2

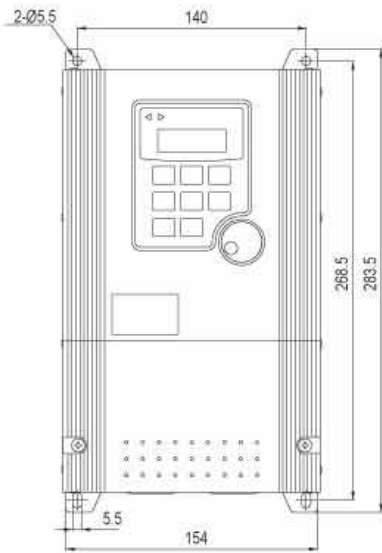
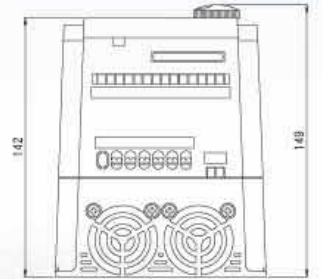


FIG-3

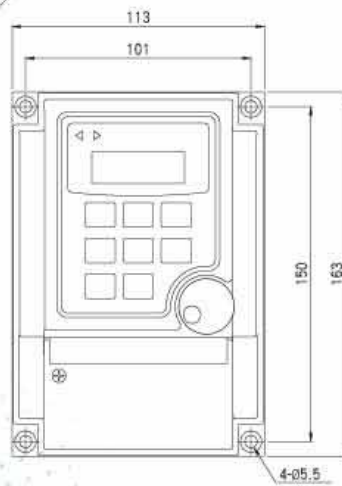
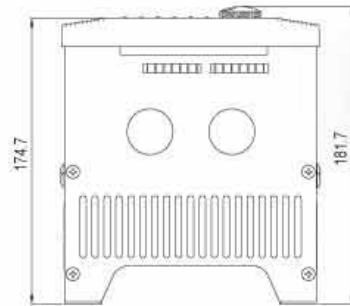
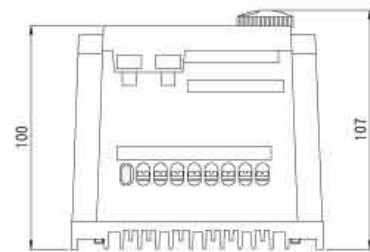


FIG-4



# Multi function general purpose inverter

*Hi Torque, Varied Speed, Low Noise, Compact Size, Hi Efficiency*

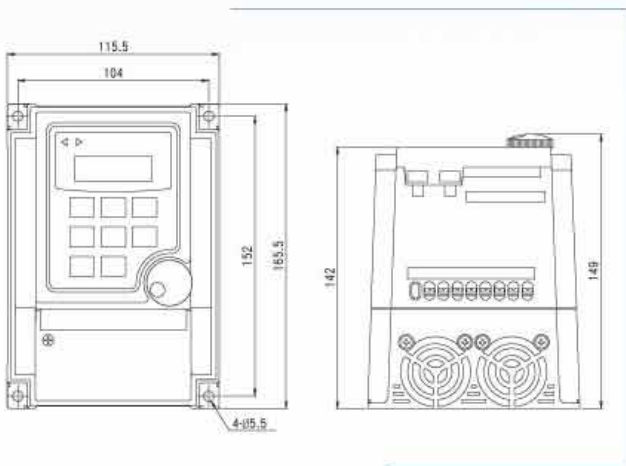


FIG-5

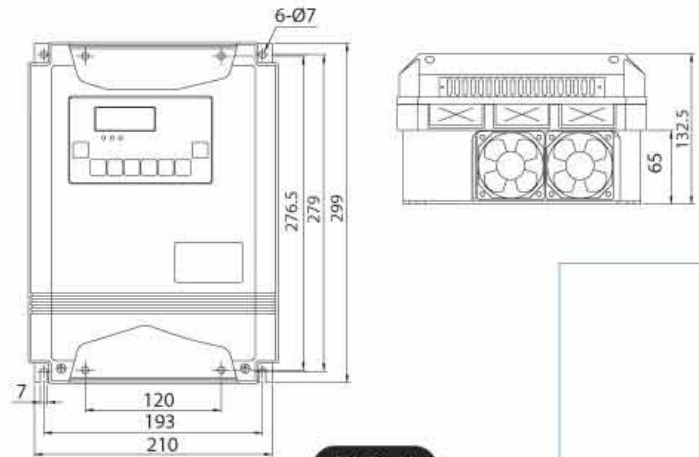


FIG-6

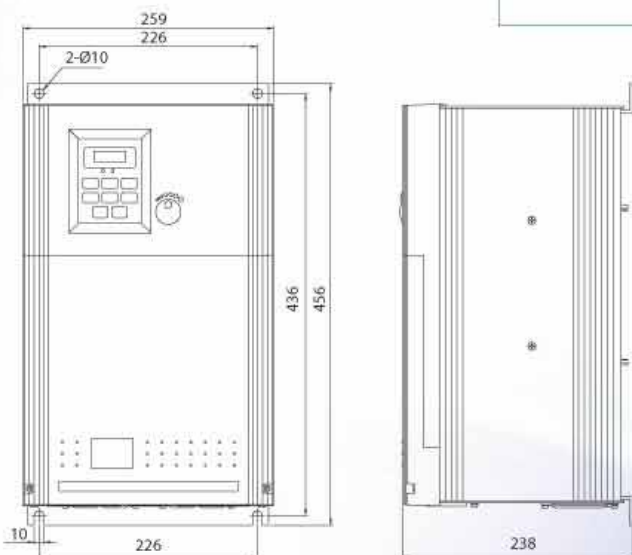
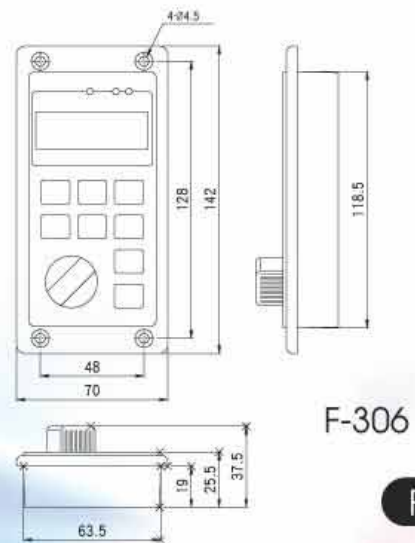


FIG-7



F-306

FIG-8



# High Performance & Powerful



## ADLEE POWERTRONIC CO., LTD.

TAIWAN HEAD OFFICE /  
No.4 LANE 989, CHUNG SHAN ROAD, SHENGANG,  
TAICHUNG TAIWAN, R.O.C.  
TEL NO: 886-4-25622651      FAX NO: 886-4-25628289  
<http://www.adlee.com>      E-mail: webmaster@adlee.com

CHINA GUANG DONG/  
TEL NO:86-757-26656498  
CHINA SHANGHAI /  
TEL NO:86-21-64843529

CHINA WUHAN /  
TEL NO:86-27-59322991  
CHINA HONG KONG /  
TEL NO:852-24081937

### AGENCY

■ Due to the printing factors, the color of the products are subject to goods.