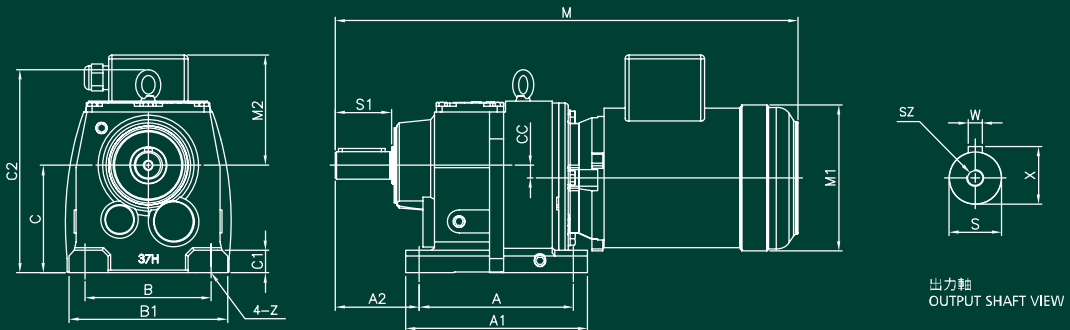




## 型式 MODEL / MHM 外型尺寸



MHM	A	A1	A2	B	B1	C	C1	C2	CC	Z	出力軸 OUTPUT SHAFT					Oil (l)
											S	S1	W	X	SZ	
17	110	131	58	110	135	75	12	135	6.5	9	20k6	40	6	22.5	M6*15L	0.24
37	130	160	75	110	145	90	18	178	11	9	25k6	50	8	28	M10*20L	0.3
47	165	195	90	135	170	115	24	217	13.5	14	30k6	60	8	33	M10*20L	0.7
67	195	235	100	150	210	130	30	249	17	14	35k6	70	10	38	M12*24L	1.1
77	205	245	115	170	230	140	30	266	16	18	40k6	80	12	43	M16*32L	1.2
87	260	310	140	215	290	180	45	335	18	18	50k6	100	14	53.5	M16*32L	2.3
97	310	365	160	250	340	225	55	416	20	22	60m6	120	18	64	M20*40L	4.6
107	370	440	185	290	400	250	65	465	23	26	70m6	140	20	74.5	M20*40L	6
137	410	490	220	340	450	315	70	550	35	33	90m6	170	25	95	M24*48L	10

MHM	馬達尺寸 MOTOR DIMENSION					
	HP	1/8 (B14)	1/4 (B14)	1/2 (B14)	1 (B14)	
17	M	361.5		387.5	407	
37	HP	1/4	1/2	1	2	
	M	430.5	454.5	516	561.5	
47	HP	1/4	1/2	1	2	3 5
	M	458	482	543.5	589	637 649
67	HP	1/2	1	2	3	5
	M	520	581.5	627	675	687
77	HP	1	2	3	5	7.5
	M	599.5	645	693	705	743.5
87	HP	2	3	5	7.5	10 15
	M	705	753	765	803.5	841.5 922
97	HP	3	5	7.5	10	15 20 25 30
	M	817	829	863.5	901.5	982 1026 1047.5
107	HP	7.5	10	15	20	25 30 40 50 60
	M	909	947	1027.5	1071.5	1093 1131 1208
137	HP	15	20	25	30	40 50 60
	M	1111.5	1155.5	1177		1215 1292

HP	馬達尺寸 MOTOR DIMENSION	
	M1	M2
1/8 (B14)	112	115.5
1/4 (B14)		
1/2 (B14)	133	123.5
1 (B14)	156	131.5
1/4	120	108
1/2	136	116
1	160	127
2	176	139
3	198	149
5	220	167
7.5		
10	258	184.5
15		
20	334	263
25		
30	382	305
40		
50		
60	420	341

註: 1. 馬力及型號選定, 請參考P31.  
 2. 減速機重量請參考P30.  
 3. 輸入馬力及輸出扭力矩請參考P32-P45.

REMARK : 1 SELECTION TABLE OF HP & SIZE, PLEASE REFER TO P.31 Unit:mm  
 2 WEIGHT, PLEASE REFER TO P.30  
 3 INPUT HP & OUTPUT TORQUE RATINGS, PLEASE REFER TO P.32-45